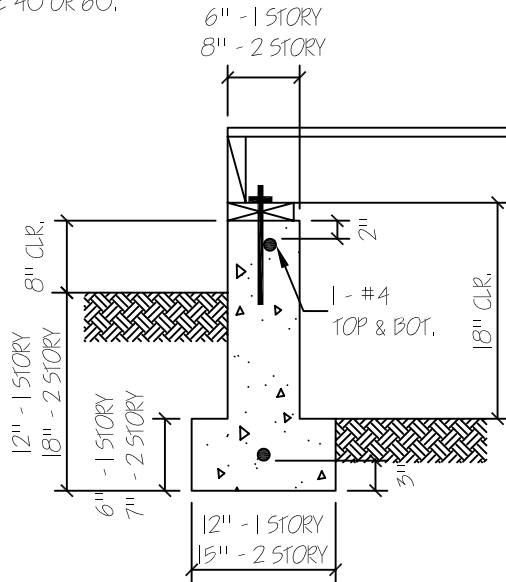
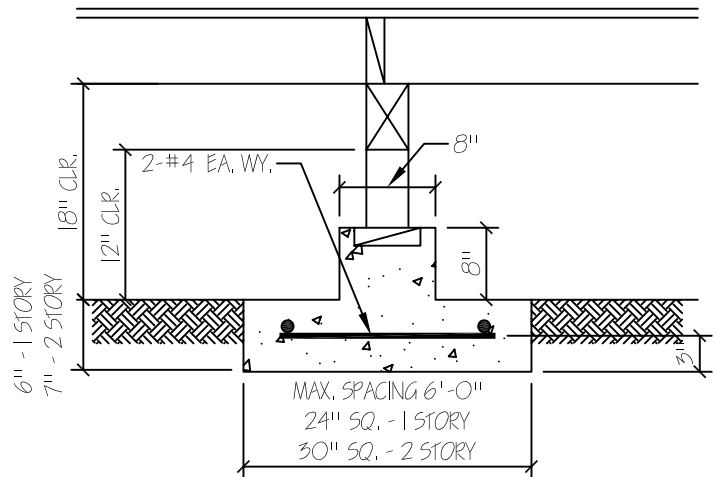


GENERAL NOTES:

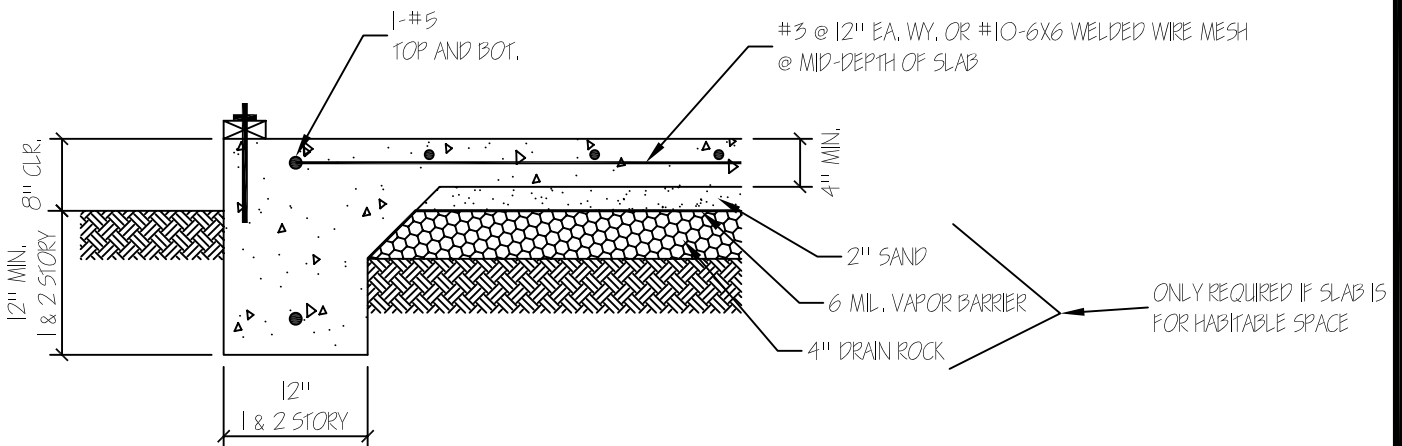
1. ALL DIMENSIONS ARE MINIMUMS, UNLESS SPECIFICALLY NOTED OTHERWISE.
2. IF GARAGE IS ATTACHED, FOUNDATION MUST MATCH HOUSE TYPE.
3. ALL EXTERIOR FOUNDATIONS MUST BE CONTINUOUS.
4. THESE GENERAL NOTES APPLY TO BOTH SHEETS SFD-1 AND SFD-2.
5. UNLESS SPECIFICALLY DESIGNED BY A LICENSED ARCHITECT OR REGISTERED ENGINEER, MIXING OF FOUNDATION TYPES WILL NOT BE ALLOWED.
6. SILL PLATES SHALL BE BOLTED TO THE FOUNDATION USING A MINIMUM OF 1/2" NOMINAL DIAMETER STEEL BOLTS (W/ 3"X3"X.229" PLATE WASHERS) EMBEDDED AT LEAST 7 INCHES INTO THE CONCRETE AND SPACED NOT MORE THAN 6 FEET APART. THERE SHALL BE A MINIMUM OF TWO BOLTS PER PIECE WITH ONE BOLT LOCATED WITHIN 12 INCHES (BUT GREATER THAN 4 INCHES) FROM EACH END OF EACH PIECE. SILL PLATES SHALL BE FOUNDATION GRADE REDWOOD OR PRESSURE TREATED DOUGLAS FIR.
7. THE MINIMUM COMPRESSIVE STRENGTH (F'c) OF THE CONCRETE SHALL NOT BE LESS THAN 2,500 PSI. REINFORCING STEEL TO MEET ASTM A615, GRADE 40 OR 60.




PERIMETER

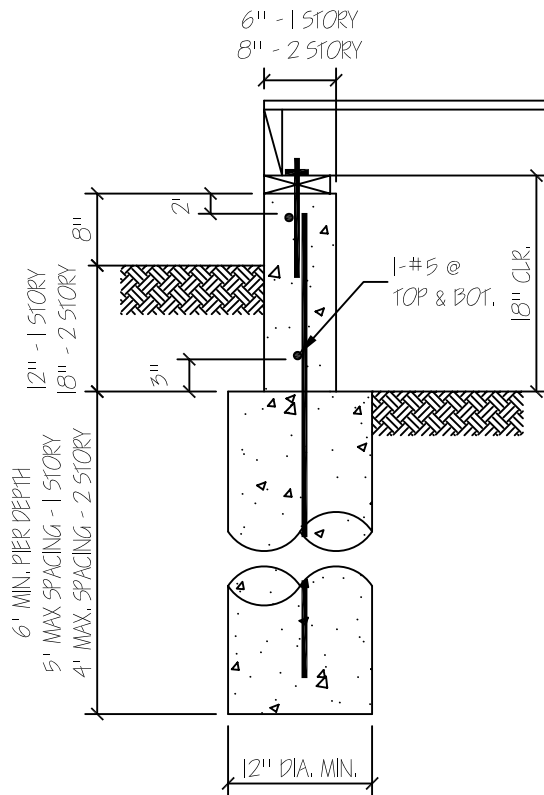


INTERIOR ISOLATED FOOTING

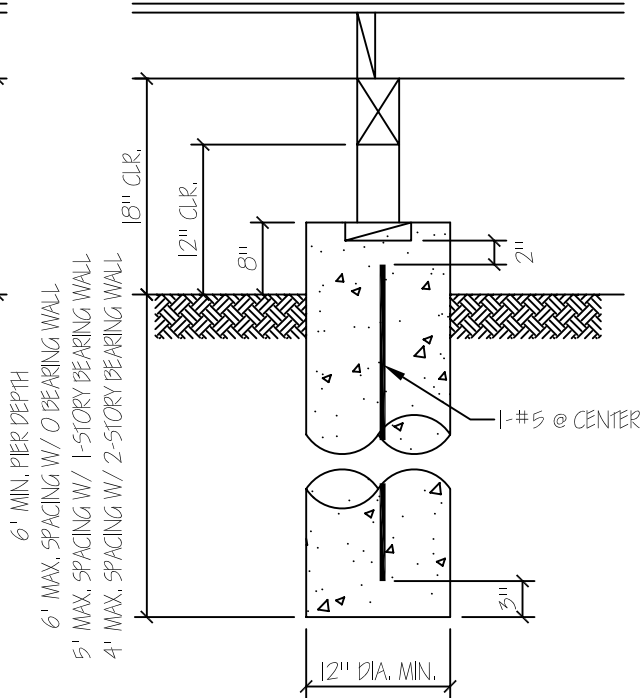


SLAB ON GRADE

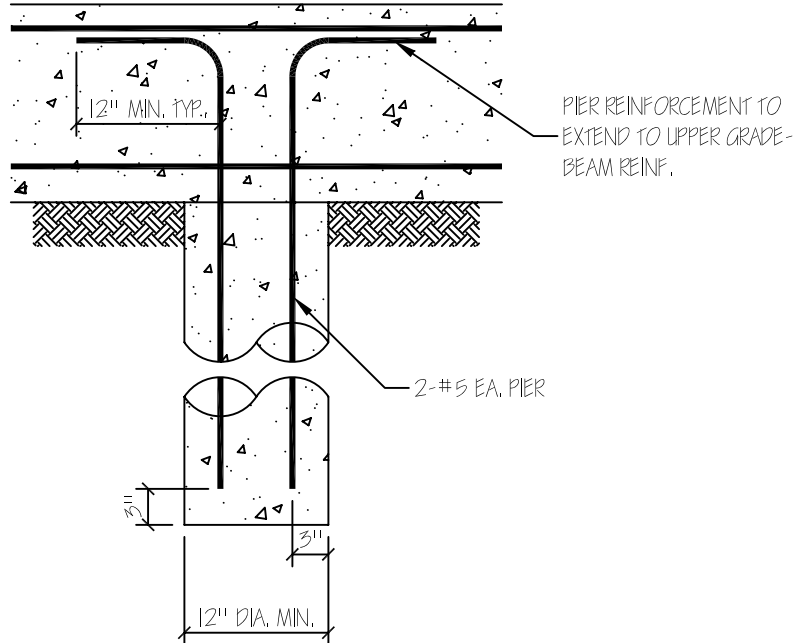
	APP. BUILDING OFFICIAL	RLS	RLW	JUNE 16, 1999	
	CHECKED BY		DRAWN BY	DATE	
	STANDARD FOUNDATION DETAILS				
	1	8/08		2007 CBC UPDATE	STANDARD DETAIL SFD-1
NO.	DATE	APP.	REVISION	DESCRIPTION	
ACAD FILE NAME: O:\CDD\BUILDING\AUTOCAD FILES\STANDARD FOOTINGS PER 2007 CBC.DWG				SCALE: 3/4" = 1'-0"	SHEET OF 2



PERIMETER



INTERIOR ISOLATED DRILLED PIER



PIER-TO-GRADE-BEAM CONNECTION



APP. BUILDING OFFICIAL	RLS	RLW	JUNE 16, 1999
CHECKED BY	DRAWN BY	DATE	
STANDARD FOUNDATION DETAILS			
NO.	DATE	APP.	REVISION DESCRIPTION
1	8/08		2007 CBC UPDATE
			STANDARD DETAIL
			SFD-2